



User Manual

Energy Storage Battery

HZEB-HCT-5/10/15

V1.0.2.20240930

Contents

1. Foreword	1
1.1 Applicable products	1
1.2 Applicable personnel	1
1.3 Legal statement	1
1.4 Revision history	1
2. Safety	2
2.1 Safety precautions	2
2.2 Safety measures	2
3. Product Introduction	3
3.1 Product characteristics	3
3.3 Specifications	4
3.4 Appearance	5
3.5 Appearance description	5
4. Storage and Packaging	6
4.1 Inspection before signing for acceptance	6
4.2 Inspection of accessories	6
4.3 Storage of equipment	6
5. System Installation	6
5.1 Installation requirements	6
5.2 Installation	7
5.3 Wiring of single battery system	7
5.3.1 General wiring diagram of single battery system	7
5.3.2 Connection of power lines	7
5.3.3 Connection of communication lines	8
5.3.4 Address dialing	8
5.4 Wiring of multi-battery system	9
5.4.1 General wiring diagram of multiple batteries	9
5.4.2 Connection of power lines	9
5.4.3 Connection of communication lines	9
5.4.4 Address dialing	9
6. System Operation	10
6.1 Inspection before power-on	10

6.2 Power-on of battery	10
6.3 System operation topology	11
6.4 Battery protocol selection	12
6.5 Indicator status	13
6.6 Power-off of battery	14
7. Maintenance	14

1. Foreword

This Manual introduces the HCT series products of our company. HCT-5/10/15 is a lithium iron phosphate (LFP) battery storage system. Please read this Manual before installing the battery and operate carefully in accordance with it during installation. If you have any questions, please contact us for advices and explanations.

1.1 Applicable products

This document applies to the following models:

HZEB-HCT-5

HZEB-HCT-10

HZEB-HCT-15

1.2 Applicable personnel

This Manual is only applicable to the professionals who are familiar with local regulations, standards, and electrical systems, have received professional training, and are familiar with the relevant knowledge of this product.

1.3 Legal statement

Copyright of this document belongs to our company. Without the prior written authorization of our company, no part of this document may be extracted, duplicated, translated, annotated or copied in any form or manner.

All rights reserved by our company. This product meets the design requirements for basic environmental protection and personal safety. The product shall be stored, used, and disposed of in accordance with the product manual, relevant contracts or relevant laws and regulations.

Please note that our company may make modifications to contents of this Manual without prior notice. If any changes are made to the information, we will not notify you separately.

1.4 Revision history

The latest version in the "Revision history" contains updates from all previous versions of the document.

V1.0.0.20240930

➤ First issue

2. Safety

2.1 Safety precautions

Before proceeding with any work, please read all safety instructions carefully and follow them when operating the battery.

Incorrect operation may result in:

- Injury or death of operators or third parties
- Damage to the system hardware.

Skills that qualified personnel shall have:

- Training in installation, debugging, and hazard handling of electrical system.
- Understanding of this Manual and other related documents.
- Understanding of local regulations and directives.

Following symbols are used in this Manual to highlight important information:



Warning: Indicates a dangerous situation. If not avoided, it may lead to death or serious injury.



Caution: Indicates possible damage or injury. If not avoided, it may result in minor injury or property damage.



Notice: Indicates that there may be a risk of damage to the product.

2.2 Safety measures



Tips

1. It is very important and necessary to read this User's Manual carefully before installing or using the battery. Failure to follow any instructions or warnings in this document may result in electric shock, serious injury, or death, or may damage the battery, causing it to fail. Damage caused by improper operations mentioned above is not covered by the warranty of this product.

2. If the battery is to be stored for a long time, it needs to be recharged every six months to a SOC level not less than 90%.

3. The battery shall be recharged within 12 hours after complete discharge.

4. The power terminals must not be connected in reverse.

5. All battery power terminals must be disconnected during maintenance.

6. In case of any abnormality, please contact the supplier within 24 hours.

7. Do not clean the battery with any detergents.

8. Do not expose the battery to flammable or irritating chemicals or vapors.

9. Do not directly connect the battery to the photovoltaic solar line.

10. Never insert any foreign object into any part of the battery.

11. The direct or indirect damages due to above reasons are not covered by the warranty.



Warning

Before connecting:

1. Please check the product and packing list after unpacking. If the product is damaged or any part is missed, please contact your local dealer.

2. Before installation, please make sure to cut off mains supply and ensure that the battery is turned off.

3. Make sure that the wiring is correct, do not mistake positive and negative terminals of the cable, and

ensure that no short circuit is caused to any external device.

4. Never connect the battery directly with the AC power supply.
5. Do not connect the battery in series as the embedded BMS in the battery is of 51.2Vdc design.
6. The battery must be grounded in a way that the resistance is less than 0.10 MΩ.
7. Please ensure that electrical parameters of the battery system are compatible with the relevant devices.
8. Please keep the battery away from water and fire sources.

Notice

During use:

1. If it is necessary to move or repair the battery system, be sure to cut off the power and completely turn off the battery.
2. Never connect the battery with other different types of batteries.
3. Never connect the battery with a faulty or incompatible inverter.
4. Never disassemble the battery.
5. Do not open, repair, or disassemble the battery, except for staff or authorized personnel. Our company shall not be liable for any consequences or related liabilities arising from violations of safety operations or design, production, and safety standards of equipment.
6. Never connect this product with other models in parallel.

3. Product Introduction

HZEB-HCT, the latest 51.2 V low-voltage DC energy storage system product (hereinafter referred to as "this product") developed by our company, can provide reliable power support for residential buildings and is a good partner for environmentally friendly living.

This product shall be used in conjunction with a low-voltage inverter, and is compatible with mainstream brand inverters available on the market.

For this series of products, up to 15 batteries can be used in parallel.





3.1 Product characteristics






This system has following functional characteristics:

1. High voltage accuracy (≤ 20 mV)
2. High current accuracy ($\leq 2\%$ @FS)
3. Short-circuit protection
4. Adjustable overcurrent protection
5. Adjustable parameter settings
6. LED status indication
7. Charging equilibrium
8. Flexible configuration (multiple batteries can be connected in parallel to expand capacity)
9. Self-cooling mode (both noise and power consumption of the system itself are reduced significantly)

3.2 Product identification

Interpretation of labels

Energy Storage Battery Pack	
Model:HZEB-HCT-10	Cell Type:LiFePo4
Rated voltage:DC51.2V	Voltage range:44.8V-57.6V
Energy:10.547kW-h	Capacity:206Ah
Recharging current:<100A	Discharge current:<100A
Working humidity:0~90% (non-condensing)	
Working temperature:-10℃~+55℃	
Protection Level:IP20	
Date of manufacture:2024.9.9	
Manufacturer:Jiangxi Hertz New Energy Technology Co.,Ltd	
Made in China	
 UN38.3   	

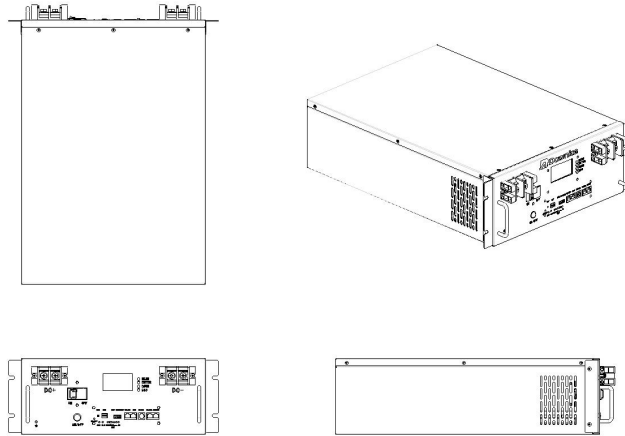
-  Do not place near open flames or in the fire
-  Do not place in a damp environment
-  Do not dispose of discarded batteries in the trash can and have them recycled by professionals or organizations
-  MSDS material inspection certification mark
-  UN38.3 Dangerous goods transportation certification mark

3.3 Specifications

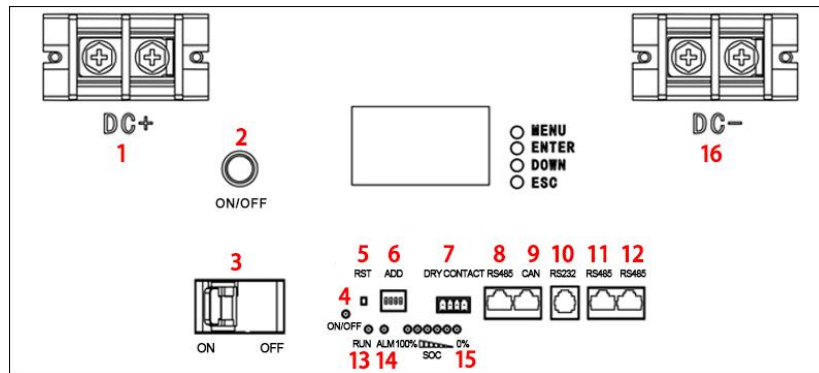
Model	HZEB-HCT-5	HZEB-HCT-10	HZEB-HCT-15
Cell type	LiFePO4		
Rated power	5,120 Wh	10,547 Wh	14336Wh
Rated capacity	100 Ah	206 Ah	280 Ah
Rated voltage	51.2V		
Working voltage	44.8V~57.6V		
Charge-discharge rate	0.5C/1C	0.5C	0.5C
Standard charge-discharge current	50A	100A	100A
Maximum charge-discharge current	100A	100A	100A
Dimensions	655*460*240mm	685*465*250mm	830*465*240mm
Weight	49 kg	88kg	111kg
Protection level	IP20		
Charge temperature range	0°C~55°C		
Discharge temperature range	-10°C~55°C		
Cycle life	≥6,000 times 25°C±2°C, 80%DOD 0.5C, 70%SOH	≥6,000 times 25°C±2°C, 80%DOD 0.5C, 80%SOH	≥6,000 times 25°C±2°C, 80%DOD 0.5C, 70%SOH
Communication mode	CAN/RS485		

Expandability	Up to 15 modules can be connected in parallel
Protection	Short circuit protection, overcharge protection, discharge protection, overcurrent protection, over temperature protection
Certification	MSDS/UN38.3
Compatible inverter	Growatt/Deye/Schneider/GoodWe/MEGAREVO, etc.

3.4 Appearance



3.5 Appearance description



No.	Interpretation	Description
1	ON/OFF	Battery switch indicator
2	RST	Reset button
3	ADD	Dial switch
4	Dry Contact	Dry contact
5	RS485	Inverter RS485 communication port
6	CAN	Inverter CAN communication port
7	RS232	Upper computer communication port
8	RS485	Battery parallel operation port 1
9	RS485	Battery parallel operation port 2
10	RUN	Battery running indicator
11	ALM	Battery warning indicator
12	SOC	Battery power indicator

4. Storage and Packaging

4.1 Inspection before signing for acceptance

Before signing the product for acceptance, please check the followings carefully:

1. Check the outer packaging for any damage, such as deformation, holes, cracks or other signs that may cause damage to the equipment inside the packaging box. If so, please contact your dealer without opening the package.
2. Check whether the equipment model is correct. If there is any discrepancy, please contact your dealer without opening the package.
3. Check whether the type and quantity of the delivered parts are correct, and whether the appearance is damaged. If there is any damage, please contact your dealer.

4.2 Inspection of accessories

Before installing the product, please check the following accessories carefully:

1. Battery
2. Primary harness
3. Communication harness
4. User's manual

4.3 Storage of equipment

If the equipment will not be immediately put into operation, please store it according to the following requirements:

1. Ensure that the outer packaging box is not removed and that the desiccant inside the box is not lost.
2. It is recommended to complete installation of the equipment within 3 days after removing the packaging box. If the equipment is not installed, it shall be repackaged in the original packaging box for storage.
3. Keep away from flammable, explosive, and corrosive environments and items during storage.
4. Be sure to store it in a cool and shaded place, and avoid direct sunlight.
5. Recommended SOC range during storage: 30%–60%. A charge-discharge cycle shall be carried out every 3 months.
6. Storage temperature range:
 - When $-20^{\circ}\text{C} \leq \text{temperature} < 10^{\circ}\text{C}$, the storage time shall not exceed 1 month.
 - When $10^{\circ}\text{C} \leq \text{temperature} \leq 35^{\circ}\text{C}$, the storage time shall not exceed 1 year.
 - When $35^{\circ}\text{C} < \text{temperature} \leq 55^{\circ}\text{C}$, the storage time shall not exceed 1 month.
7. Storage humidity range: 0%–90%RH without condensation. If any moisture or condensation is found at the battery interface, the battery system shall not be installed.

5. System Installation

5.1 Installation requirements

Installation environment requirements:

1. The equipment cannot be installed in flammable, explosive, or corrosive environments.
2. The installation location must avoid water pipes, cables, etc. in the wall to avoid danger when drilling.
3. The installation environment must avoid sunlight, rain, snow, etc. It is recommended to install it in a sheltered installation location. If necessary, a sunshade can be built.
4. The installation space must meet the equipment ventilation and heat dissipation requirements and operating space requirements.
5. The equipment protection level meets indoor and outdoor installation requirements, and the installation environment temperature and humidity must be within the appropriate range.

6. The equipment installation height must be convenient for operation and maintenance, ensuring that the equipment indicator light and all labels are easy to view and the wiring terminals are easy to operate.

7. The equipment installation altitude is lower than the maximum operating altitude of 2000m.

8. Stay away from strong magnetic field environments to avoid electromagnetic interference. If there is a radio station or wireless communication equipment below 30MHz near the installation location, please ensure that the distance between the battery and the wireless electromagnetic interference equipment is greater than 30m.

5.2 Installation



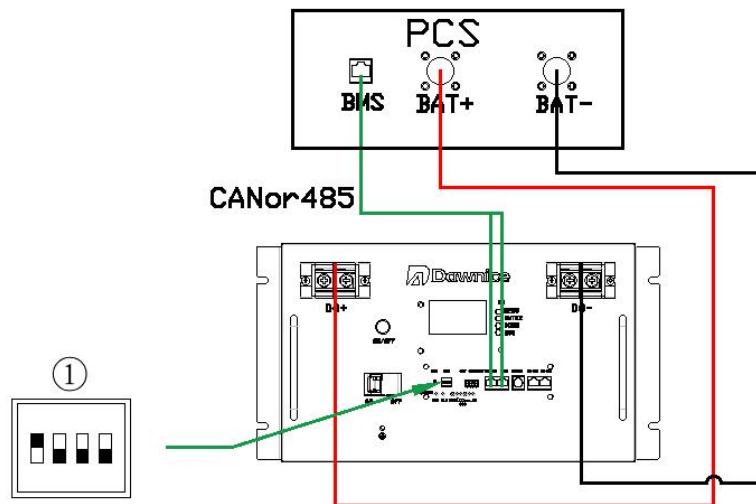
Note: Wall mounting shall be carried out by two people

Installation method 1: The battery is placed directly on the platform

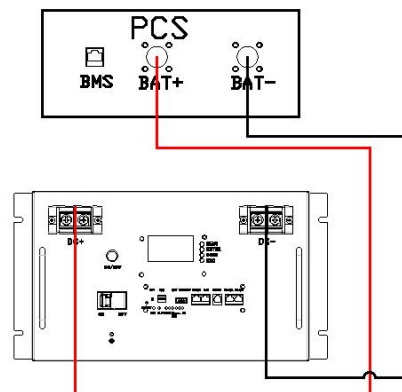
Installation method 2: The battery is installed on the server

5.3 Wiring of single battery system

5.3.1 General wiring diagram of single battery system



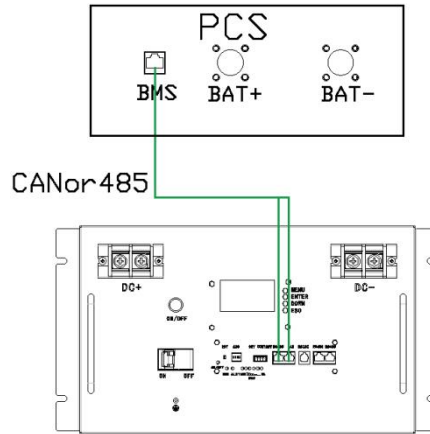
5.3.2 Connection of power lines



Step 1 Connect the battery DC+ to the inverter DC+/BAT+

Step 2 Connect the battery DC- to the inverter DC-/BAT-

5.3.3 Connection of communication lines

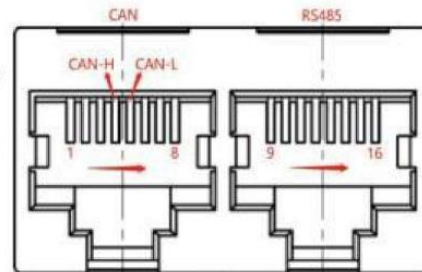
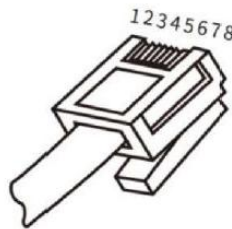
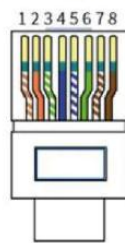


Step 1 Insert one end of the RJ45 communication line into the communication interface (CAN or RS485) of the battery host inverter

Step 2 Insert the other end of the RJ45 communication line into the communication interface (BMS, CAN, or RS485) of the inverter battery

Definition of communication interfaces:

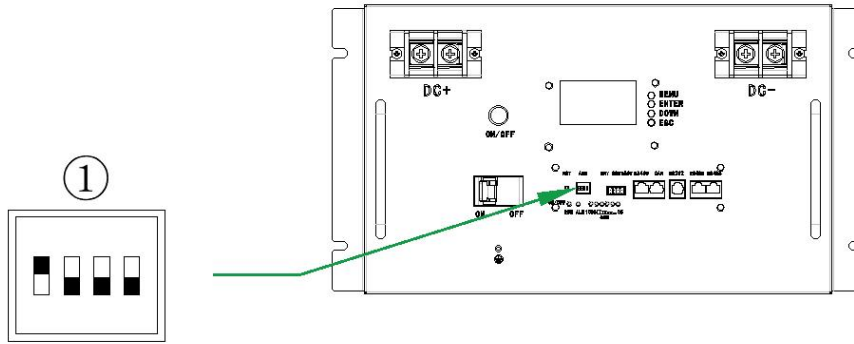
RJ45 Registered Jack



CAN — 8P8C vertical RJ45 socket		RS485 — 8P8C vertical RJ45 socket	
RJ45 pin	Description of definition	RJ45 pin	Description of definition
1, 3, 6, 7, 8	NC	9, 16	RS485-B1
4	CAN-H	10, 15	RS485-A1
5	CAN-L	11, 14	GND
2	GND	12, 13	NC

5.3.4 Address dialing

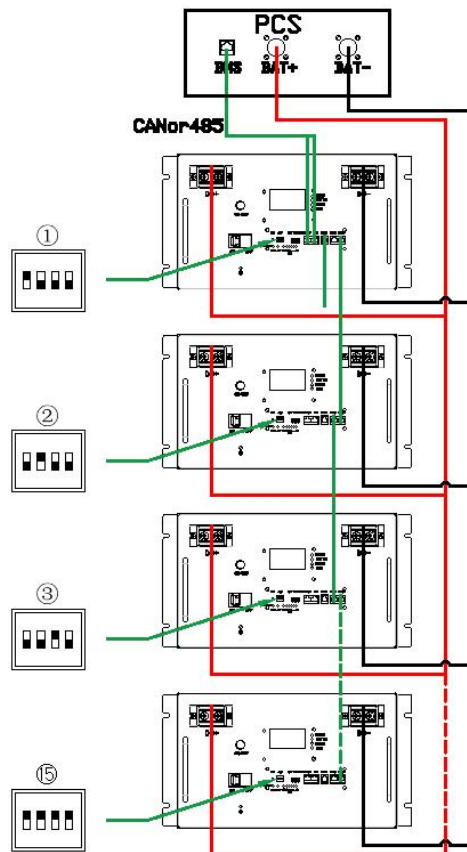
When a single battery is used, the battery address (ADD) shall be set to 1 by DIP switch, as shown in the following figure



5.4 Wiring of multi-battery system

i Notice: When multiple batteries are connected in parallel, the host (i.e. No.1 battery) shall be connected to the inverter for communication

5.4.1 General wiring diagram of multiple batteries



5.4.2 Connection of power lines

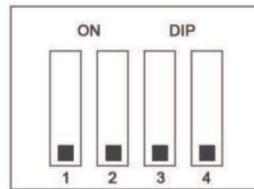
See 5.3.2

5.4.3 Connection of communication lines

See 5.3.3

5.4.4 Address dialing

When multiple batteries are connected in parallel for use, address (ADD) of each battery shall be kept different and sorted correctly to ensure normal operation of the system. For setting and definition of the DIP switch, please refer to the following table.



ADD	DIP switch position			
	#1	#2	#3	#4
1	ON	OFF	OFF	OFF
2	OFF	ON	OFF	OFF
3	ON	ON	OFF	OFF
4	OFF	OFF	ON	OFF
5	ON	OFF	ON	OFF
6	OFF	ON	ON	OFF
7	ON	ON	ON	OFF
8	OFF	OFF	OFF	ON
9	ON	OFF	OFF	ON
10	OFF	ON	OFF	ON
11	ON	ON	OFF	ON
12	OFF	OFF	ON	ON
13	ON	OFF	ON	ON
14	OFF	ON	ON	ON
15	ON	ON	ON	ON

6. System Operation

6.1 Inspection before power-on

When the battery system is powered on, be sure to check the followings to prevent any damage to the system.

1. The inverter shall be installed firmly at a position that is easy to operate and maintain, a space that is conducive for ventilation and heat dissipation, and a clean and tidy environment.
2. The power lines and communication lines shall be connected correctly and firmly.
3. The cables shall be tied in a way that the routing requirements are met, distribution is reasonable, and no damage will be caused.

6.2 Power-on of battery



Notice: The circuit breakers between inverter and battery and between batteries shall be installed according to local laws and regulations.

Step 1 Close the battery circuit breaker. (Optional)

Step 2 Press the battery button switch.

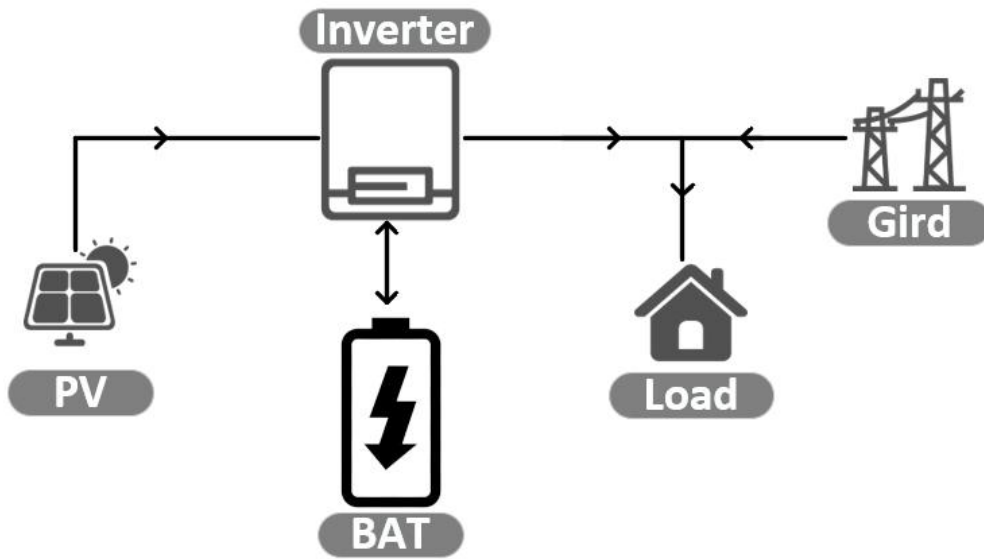
Step 3 Close the circuit breaker between the battery and the inverter. (Optional)

Step 4 Power on the inverter used in the system. For detailed operation, please refer to user's manual of the inverter of corresponding model.

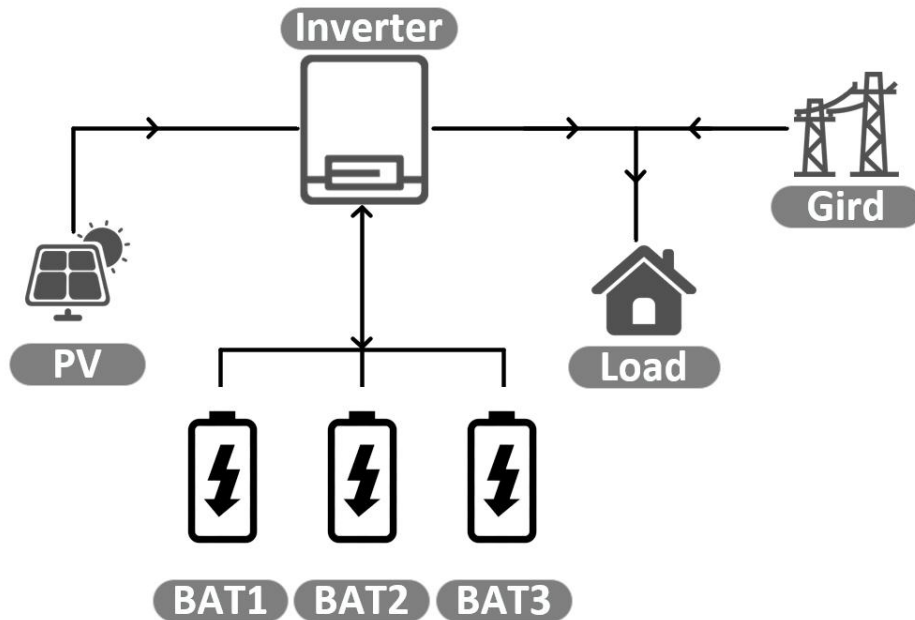
Step 5 Close air switch of the load.

6.3 System operation topology

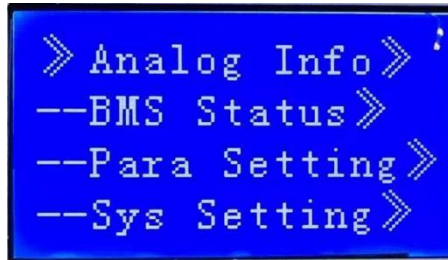
Single battery system:



Multi-battery system:



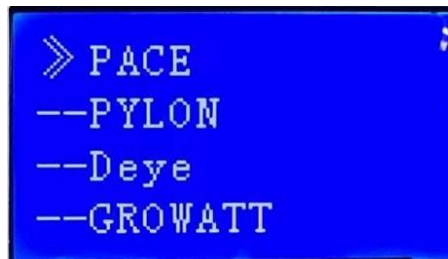
6.4 Battery protocol selection



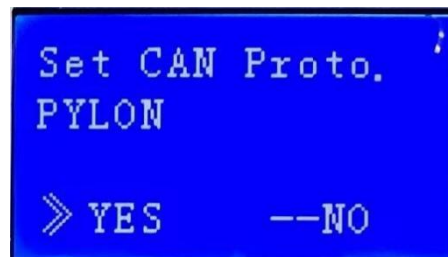
Click to Para Setting page



Click Set CAN Prot or Set 485 Prot

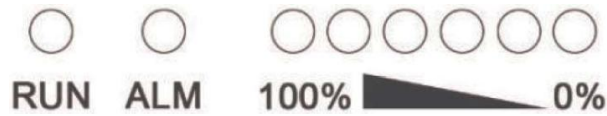


Select any protocol from the catalog



Click Yes

6.5 Indicator status



Description of indicators

Status	Normal/Alarm/Protection	ON/OFF	RUN	ALM	Power Indicator LED						Description	
		●	●	●	●	●	●	●	●	●		
Power-off	Sleep	OFF	OFF	OFF	OFF	OFF	OFF	OFF	OFF	OFF	OFF	All OFF
Standby	Normal	Always ON	Flash once	OFF	Depend on battery power						Standby status	
	Alarm	Always ON	Flash once	Flash three times	Depend on battery power						Voltage of module(s) is low	
Charging	Normal	Always ON	Always ON	OFF	Depend on battery power (The highest power indicator LED flashes twice)						The highest power indicator LED flashes (twice), and ALM does not flash when an overcharge alarm is given	
	Alarm	Always ON	Always ON	Flash three times	Depend on battery power (The highest power indicator LED flashes twice)						The highest power indicator LED flashes (twice), and ALM does not flash when an overcharge alarm is given	
	Overcharge protection	Always ON	Always ON	OFF	Always ON	Always ON	Always ON	Always ON	Always ON	Always ON	Always ON	If no mains power is available, the indicator switches to standby status
	Temperature protection, overcurrent protection, and fail-safe	Always ON	OFF	Always ON	OFF	OFF	OFF	OFF	OFF	OFF	OFF	Charging will be stopped
Discharging	Normal	Always ON	Flash three times	OFF	Depend on battery power							
	Alarm	Always ON	Flash three times	Flash three times	Depend on battery power							
	Under-voltage protection	Always ON	OFF	OFF	OFF	OFF	OFF	OFF	OFF	OFF	OFF	Discharging will be stopped
	Temperature protection, overcurrent protection, short-circuit protection, reverse connection protection, fail-safe	Always ON	OFF	Always ON	OFF	OFF	OFF	OFF	OFF	OFF	OFF	Discharging will be stopped
Failure		OFF	OFF	Always ON	OFF	OFF	OFF	OFF	OFF	OFF	OFF	Charging and discharging will be stopped

Description of power indicator

Status		Charging						Discharging					
Capacity indicator		L6	L5	L4	L3	L2	L1	L6	L5	L4	L3	L2	L1
Battery power (%)	0%–16.6%	OFF	OFF	OFF	OFF	OFF	Flash twice	OFF	OFF	OFF	OFF	OFF	Always ON
	16.6%–33.2%	OFF	OFF	OFF	OFF	Flash twice	Always ON	OFF	OFF	OFF	OFF	Always ON	Always ON
	33.2%–49.8%	OFF	OFF	OFF	Flash twice	Always ON	Always ON	OFF	OFF	OFF	Always ON	Always ON	Always ON
	49.8%–66.4%	OFF	OFF	Flash twice	Always ON	Always ON	Always ON	OFF	OFF	Always ON	Always ON	Always ON	Always ON
	66.4%–83.0%	OFF	Flash twice	Always ON	Always ON	Always ON	Always ON	OFF	Always ON	Always ON	Always ON	Always ON	Always ON
	83.0%–100%	Flash twice	Always ON	Always ON	Always ON	Always ON	Always ON	Always ON	Always ON	Always ON	Always ON	Always ON	Always ON
Running indicator ●		Always ON						Flash (three times)					

6.6 Power-off of battery

To power off the battery system, please follow the following steps:

Step 1 Press the button switch

Step 2 Make sure that the indicator is off

Step 3 Disconnect the distribution circuit breaker

Step 4: Disconnect the power circuit breaker

7. Maintenance

Maintenance Item	Maintenance Interval
If the battery is not put into use, it shall be fully charged and then discharged to 30%–60%.	Once every 3 months
Check whether the wall mount bracket is installed loose. If so, please tighten the corresponding position.	Once every 6 months
Check whether the case is damaged. If so, please repair the paint or contact for after-sales service.	Once every 6 months
Check whether any exposed cable is worn. If so, please replace the corresponding cable or contact for after-sales service.	Once every 6 months
Check whether any debris piled up around the battery. If any, please clean it to avoid heat dissipation of the battery from being affected.	Once every 6 months
Check whether any water or pests enter into the battery to avoid the battery from being invaded for a long period of time.	Once every 6 months



Warning:

- If any problems are found to have an impact on the battery or the battery and energy storage inverter system, please contact our after-sales personnel, and do not disassemble it without authorization; any damage caused by unauthorized disassembly shall be borne by the disassembling party.
- If the copper conductor inside any conductive wire is found to be exposed, do not touch it as the high voltage is dangerous, please contact our after-sales personnel, and do not disassemble it without authorization.
- In case of other emergencies, please contact our after-sales personnel at the first time, and operate by professionals under the guidance of our after-sales personnel.

※ The product information and parameters are subject to change without prior notice

Service E-mail: info@vesolenergy.com

Add.: Building 15, Economic Industrial Park, Yuanzhou Economic and
Technological Development Zone, Yuanzhou District, Yichun City, Jiangxi
Province, China

Postcode: 336000

※ The product information and parameters are subject to change without prior notice